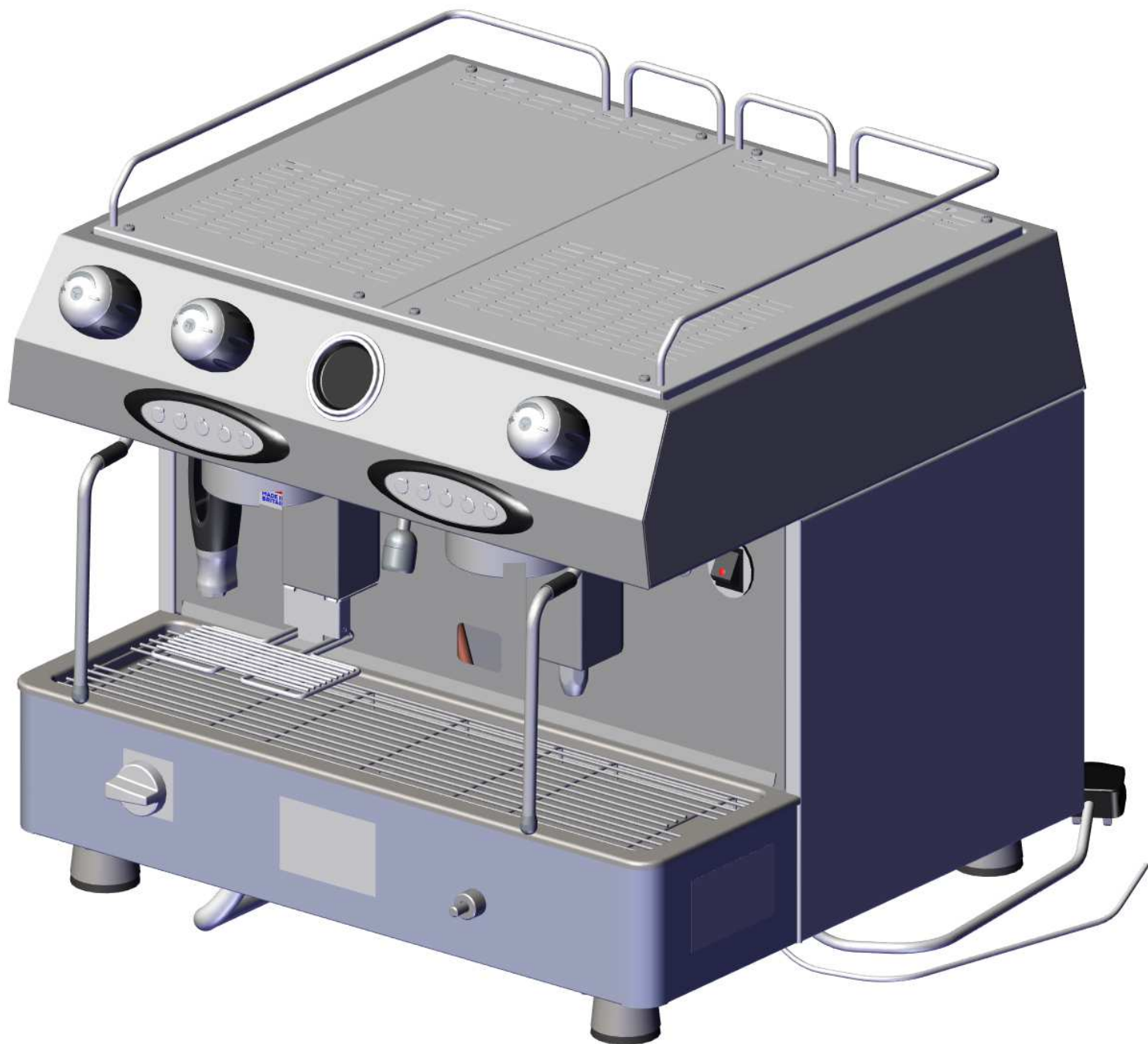


# CONTEMPO

ESPRESSO COFFEE MACHINE

## CON2E-LPG

2022 ONWARDS

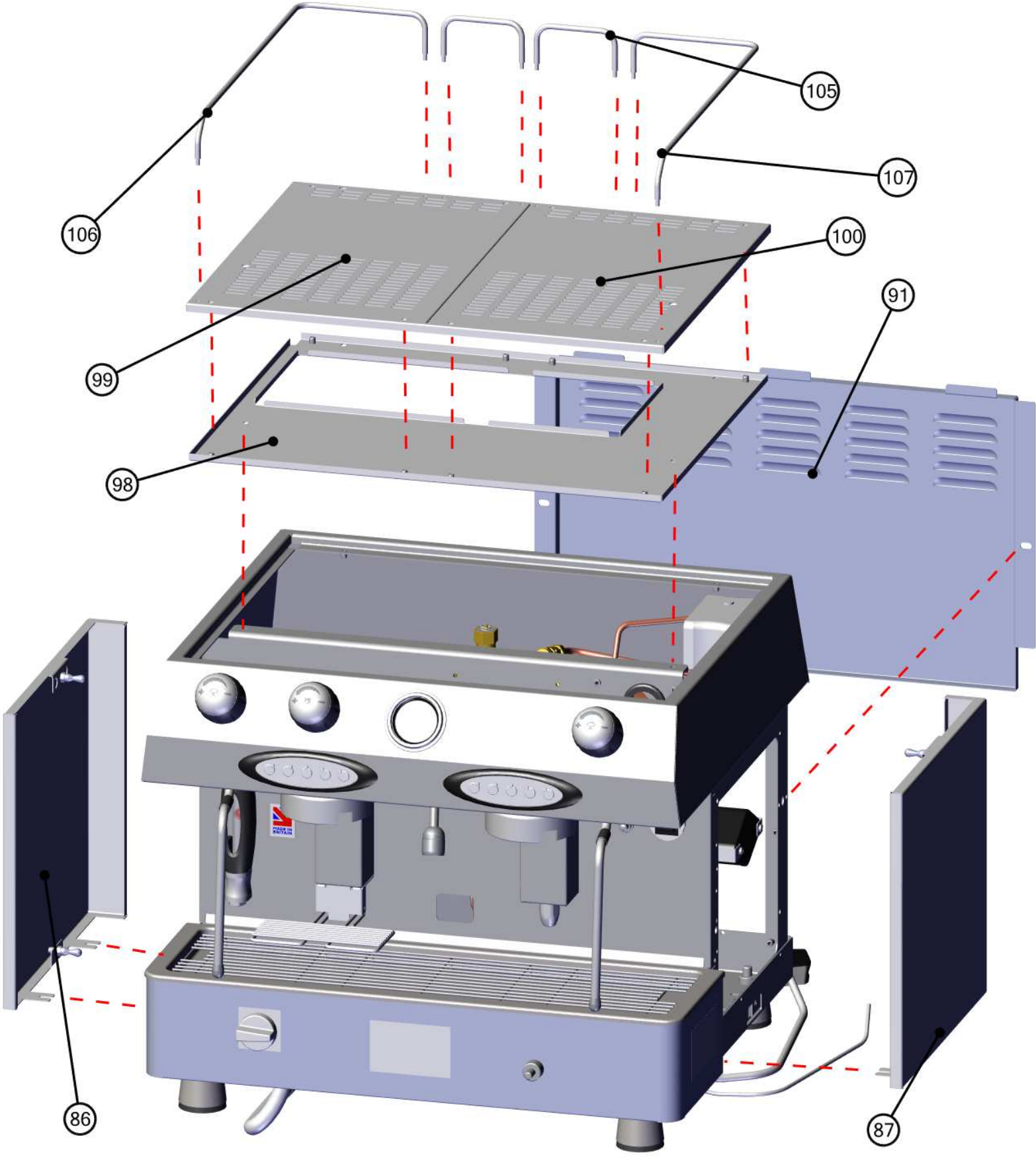


## PARTS BOOK

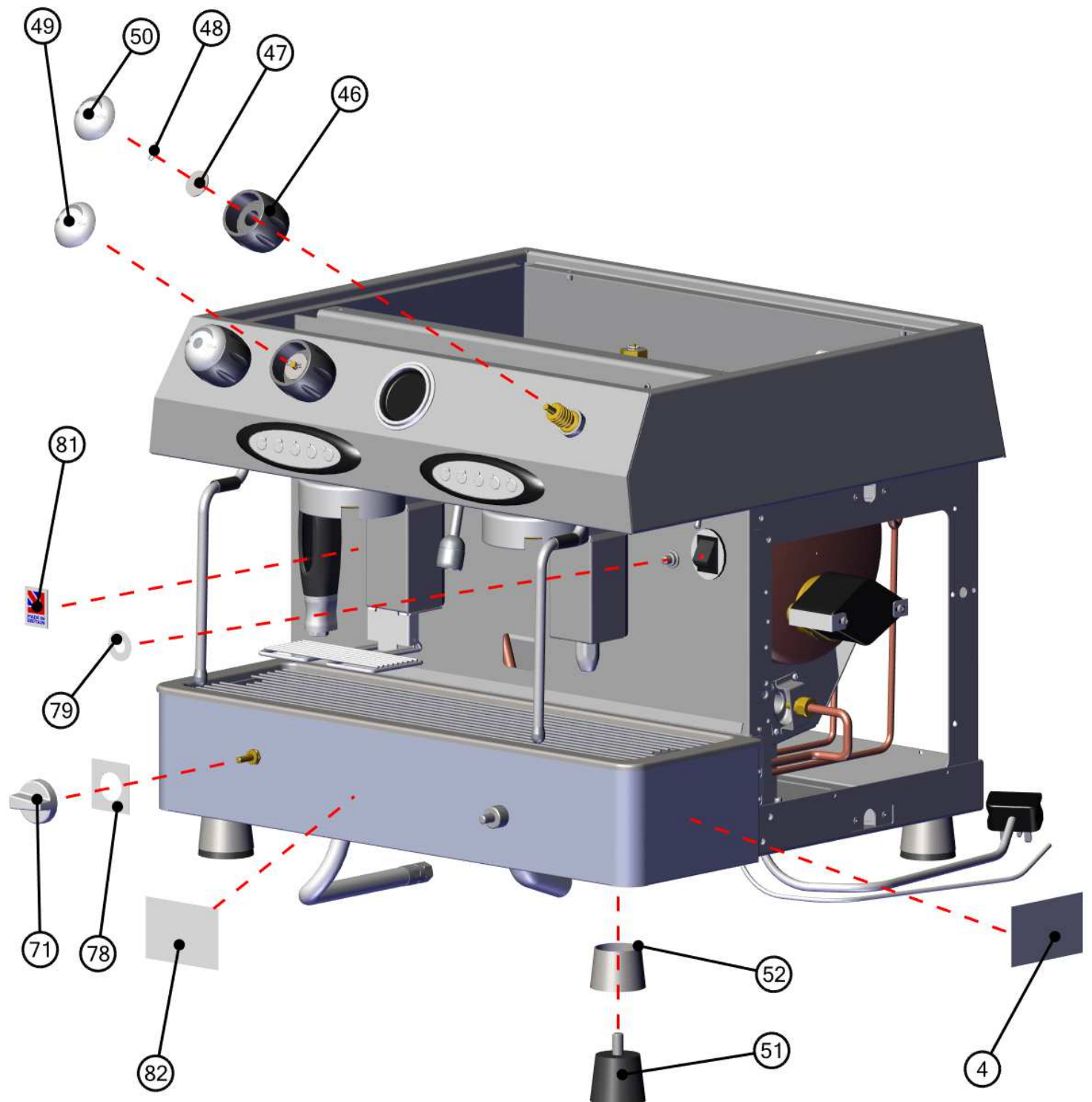
website / [www.fracino.com](http://www.fracino.com)  
email / [spares@fracino.com](mailto:spares@fracino.com)  
tel / +44 (0)121 328 5757

1	BAM147	TOP HEAT EXCHANGER TO BOILER PIPE	2
2	CON-2-002-A	CONTEMPO TOP ASSEMBLY 2 GRP AUTO	1
3	CON-2-004-S-GAS	DRIP TRAY SUPPORT GAS	1
4	DATAPLATELABEL	GLOSSY ALUMINUM POLYESTER 111MM X 15M FOR SMS R1 PRINTER	2
5	ESPBRKT-16	ESPRESSO TRAY BRKT 2016	1
6	ESPTRAY-W-16	WIRE ESPRESSO TRAY	1
7	ESPTRAY-WASHER	WIRE ESPRESSO TRAY WASHER	2
8	FC135W	AIR RELEASE VALVE LOCK WEDGE	1
9	FC136	FLEXIHOSE 3-8 ELBOW TO 3-8 STRAIGHT 2M	1
10	FC138COM	MANIFOLD FORGED COMPLETE	1
11	FC140-2	WASTE CUP PIPE 2 GRP	1
12	FC140-A	WASTE CUP	1
13	FC140-B	WASTE CUP CLIP	1
14	FC144	TOP SIGHT GLASS PIPE	1
15	FC145-22	BOTTOM SIGHT GLASS PIPE	1
16	FC149-B-14	BOILER TO STEAM VALVE (14 ONWARDS)	1
17	FC150-3B	HOT WATER VALVE PIPE CONTEMPO	1
18	FC150-B	STEAM-HOT WATER PIPE	1
19	FC151-2	2 GROUP PRESSURE SWITCH PIPE	1
20	FC152	BOILER TO PRESSURE GAUGE PIPE	1
21	FC152B	1/4" TO 4mm PIPE REDUCER	2
22	FC153-22	PRESSURE GAUGE TO MANIFOLD PIPE	1
23	FC154-2-22-COM	MANIFOLD TO FLOW METER 2 GRP COMPLETE	1
24	FC155-A-16	FLOW METER PIPE	2
25	FC157-6	LARGE CABLE GLAND (3001497 Heyco)	1
26	FC157D	SMALL CABLE GLAND	1
27	FC158-A	POWER CABLE 2.5MM 3 CORE YY COL. H07RN-F3	1
28	FC158-B	POWER CABLE 0.75 MM2 3-C. COL. CODE	1
29	FC166-HLSB	HIGH LIMIT THERMOSTAT BRACKET	1
30	FC166HLS	HIGH LIMIT THERMOSTAT	1
31	FC169	PRESSURE SWITCH 3 POLE 30 AMP	1
32	FC171COM-16	COMPLETE INLET SOLENOID WITH FITTINGS	1
33	FC176	WASTE HOSE	1
34	FC176A	WASTE HOSE CLIP	1
35	FC179-12B	BLACK DUAL PRESSURE GAUGE 60mm METAL CASE	1
36	FC179A	1/8" BSP LOCK NUT	2
37	FC179AU	DUAL GAUGE BRACKET	1
38	FC181A	SIGHT GLASS	1
39	FC189	MAINS SWITCH	1
40	FC189S-P	SWITCH SURROUND	1
41	FC189T	16 AMP GAS/ELECTRIC SELECTOR TOGGLE SWITCH	1
42	FC189WS	IGNITION SWITCH	1
43	FC190-R-NEW	RED LED INDICATOR LIGHT	1
44	FC222AA-04	STEAM VALVE	2
45	FC222AB-CON-04	COMPLETE HOT WATER VALVE	1
46	FC222H-R	BLACK HAND WHEEL	3
47	FC222J	STAINLESS SECURING WASHER	3
48	FC222K-D.91	R-HOLDING CLIP	3
49	FC222L-R-CP	STEAM HAND WHEEL CAP CHROME PLATED	1
50	FC222L-R-CP	STEAM HAND WHEEL CAP CHROME PLATED	2
51	FC244	RUBBER FOOT	4
52	FC244CN	FOOT COVER STAINLESS	4
53	FC56R	ANTI BURN STEAM TUBE SLEEVE	2
54	FC75D	1/4" BSP LOCK NUT	1
55	FC84-CON2LPG	CLASSIC CONTEMPO - 2 GROUP BOILER - GAS	1
56	FC91-3D5XLC	AUTO CONTROL BOX	1
57	FC92COM-17	FLOW METER	2
58	FC94CD-12	OVAL PCB TOUCHPAD RED LED FOR PLASTIC BEZEL	2
59	FC94DE	SNAP IN PLASTIC KEYPAD BEZEL	2
60	FC99COM	GROUP COMPLETE	2
61	FCL-400-3-COM	2 GROUP BURNER BOX SUB-ASSEMBLY	1
62	FCL148L	BOTTOM HEAT EXCHANGER PIPE GAS M-C LEFT HAND	1
63	FCL148-R	BOTTOM HEAT EXCHANGER PIPE GAS M-C RIGHT HAND	1
64	FCL151-2	GAS CONTROL VALVE TO BOILER STEAM	1
65	FCL169-T	GAS TEST POINT FITTING - UNIVERSAL	1
66	FCL169COM-14	COMPLETE GAS CTRL AND PRESS REG. WITHOUT THERMOCOUPLE, PIEZ	1
67	FCL300	BRAIDED LPG GAS INLET HOSE 36" LONG 1/4" SWIVEL NUT EACH END	1
68	FCL301-TESTNIPPLE	1/8" BSP TAPERED THREAD TEST NIPPLE	1
69	FCL306-13	MAIN GAS ISOLATION VALVE	1
70	FCL306-13N	LOCK NUT FOR 2 WAY GAS VALVE M10x1 2013 ONWARDS	1
71	FCL307A	GAS VALVE KNOB	1
72	FCL308	ELECTRONIC SPARK GENERATOR	1
73	FCL310	GAS INLET VALVE TO MAIN CONTROL VALVE PIPE	1
74	FCL311	GAS CONTROL VALVE TO BURNER FEED PIPE	1
75	FCL325LH	Burner Box Braket - LH	1
76	FCL325RH	Burner Box Braket - RH	1
77	HEA082C	DIA 30MM RUBBER GROMMET	3
78	LABEL-GAS-ELECTRIC	SILVER LABEL FOR GAS-ELECTRIC SELECTOR SWITCH	1
79	LABEL-GAS-IGNITOR	SILVER LABEL FOR GAS IGNITOR SWITCH	1
80	LABEL-GASVALVEFCL306-13	GAS VALVE LABEL 2-WAY ONLY - AUG 2013 ONWARDS	1
81	LABEL-MADEINBRITAIN-16	MADE IN BRITAIN ACRYLIC BADGE	1
82	LABEL-WARNING	GAS M-C WARNING LABEL	1
83	LABELS-EARTH	SELF ADHESIVE EARTH LABEL	1
84	LABELS-L-N	SELF ADHESIVE LABEL LIVE-NEUTRAL	1
85	ROM91	CONTROL BOX BRACKET	1
86	UNI-002L	LEFT HAND SIDE PANEL	1
87	UNI-002R	RIGHT HAND SIDE PANEL	1
88	UNI-005-PS	PRESSURE SWITCH BRACKET	1
89	UNI-006-16	FLOW METER BRACKET	2
90	UNI-2-001-S-GAS	FRONT PANEL - GAS	1
91	UNI-2-003-L	2 GROUP BACK PANEL	1
92	UNI-2-004	2 GROUP DRIP TRAY	1
93	UNI-2-005-BASE-16	CHASSIS BASE 16 ONWARDS	1
94	UNI-2-005-FRONT-16	CHASSIS FRONT 16 ONWARDS	1
95	UNI-2-005-LH	CHASSIS SIDE - LH	1
96	UNI-2-005-RH	CHASSIS SIDE - RH	1
97	UNI-2-007-16	BASE PLATE	1
98	UNI-2-010-IN-18	CUP TRAY INNER	1
99	UNI-2-011-LH-22	TOP CUP TRAY OUTER LH	1
100	UNI-2-012-RH-22	TOP CUP TRAY OUTER RH	1
101	UNI-2-030-W	DRIP TRAY GRID - 2 GRP	1
102	UNI145-22	MANIFOLD TO INLET SOLENOID	1
103	UNI146	INLET SOLENOID TO BOILER TEE	1
104	UNI147	MANIFOLD TO BOILER TEE PIPE	1
105	UNI230-2-U	2 GROUP MIDDLE BAR (CONTEMPO)	2
106	UNI230-L	CUP SHIELD LEFT HAND (CONTEMPO)	1
107	UNI230-R	CUP SHIELD RIGHT HAND (CONTEMPO)	1

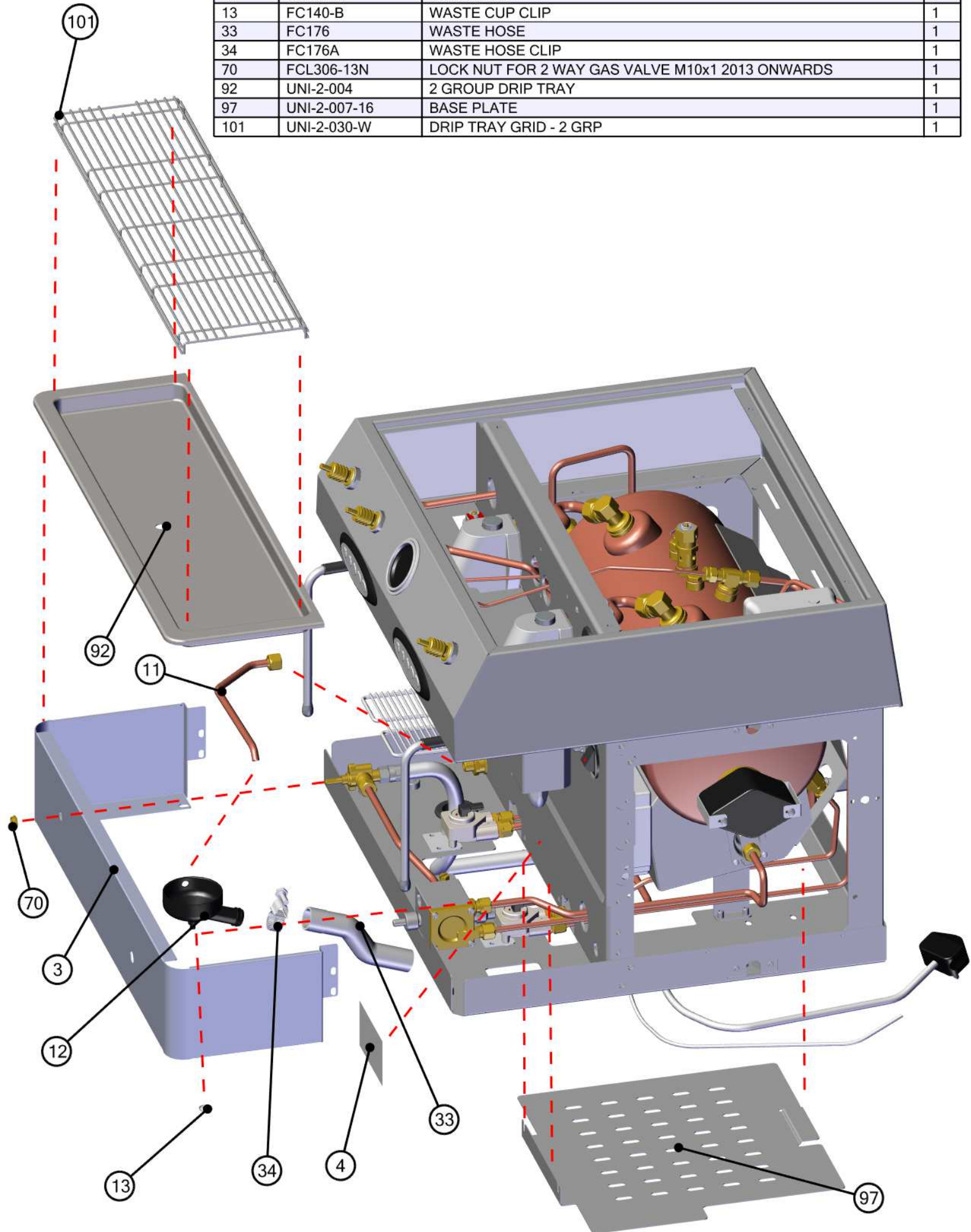
BOM ID	PartNo	Description	Qty
86	UNI-002L	LEFT HAND SIDE PANEL	1
87	UNI-002R	RIGHT HAND SIDE PANEL	1
91	UNI-2-003-L	2 GROUP BACK PANEL	1
98	UNI-2-010-IN-18	CUP TRAY INNER	1
99	UNI-2-011-LH-22	TOP CUP TRAY OUTER LH	1
100	UNI-2-012-RH-22	TOP CUP TRAY OUTER RH	1
105	UNI230-2-U	2 GROUP MIDDLE BAR (CONTEMPO)	2
106	UNI230-L	CUP SHIELD LEFT HAND (CONTEMPO)	1
107	UNI230-R	CUP SHIELD RIGHT HAND (CONTEMPO)	1



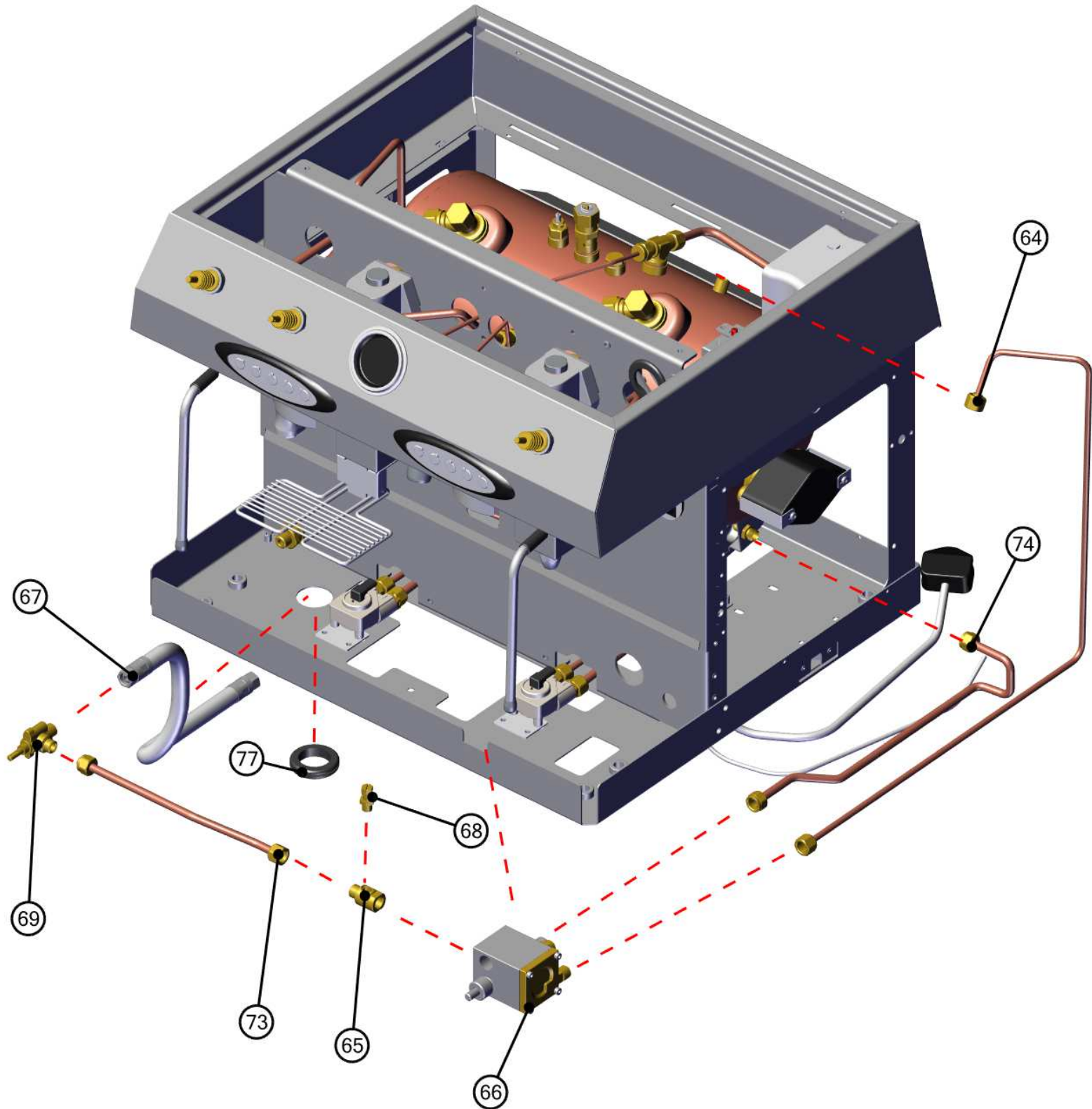
BOM ID	PartNo	Description	Qty
4	DATAPLATELABEL	GLOSSY ALUMINUM POLYESTER 111MM X 15M FOR SMS R1 PRINTER	2
46	FC222H-R	BLACK HAND WHEEL	3
47	FC222J	STAINLESS SECURING WASHER	3
48	FC222K-D.91	R-HOLDING CLIP	3
49	FC222L-R-CP	STEAM HAND WHEEL CAP CHROME PLATED	1
50	FC222L-R-CP	STEAM HAND WHEEL CAP CHROME PLATED	2
51	FC244	RUBBER FOOT	4
52	FC244CN	FOOT COVER STAINLESS	4
71	FCL307A	GAS VALVE KNOB	1
78	LABEL-GAS-ELECTRIC	SILVER LABEL FOR GAS-ELECTRIC SELECTOR SWITCH	1
79	LABEL-GAS-IGNITOR	SILVER LABEL FOR GAS IGNITOR SWITCH	1
81	LABEL-MADEINBRITAIN-16	MADE IN BRITAIN ACRYLIC BADGE	1
82	LABEL-WARNING	GAS M-C WARNING LABEL	1



BOM ID	PartNo	Description	Qty
3	CON-2-004-S-GAS	DRIP TRAY SUPPORT GAS	1
4	DATAPLATELABEL	GLOSSY ALUMINUM POLYESTER 111MM X 15M FOR SMS R1 PRINTER	1
11	FC140-2	WASTE CUP PIPE 2 GRP	1
12	FC140-A	WASTE CUP	1
13	FC140-B	WASTE CUP CLIP	1
33	FC176	WASTE HOSE	1
34	FC176A	WASTE HOSE CLIP	1
70	FCL306-13N	LOCK NUT FOR 2 WAY GAS VALVE M10x1 2013 ONWARDS	1
92	UNI-2-004	2 GROUP DRIP TRAY	1
97	UNI-2-007-16	BASE PLATE	1
101	UNI-2-030-W	DRIP TRAY GRID - 2 GRP	1

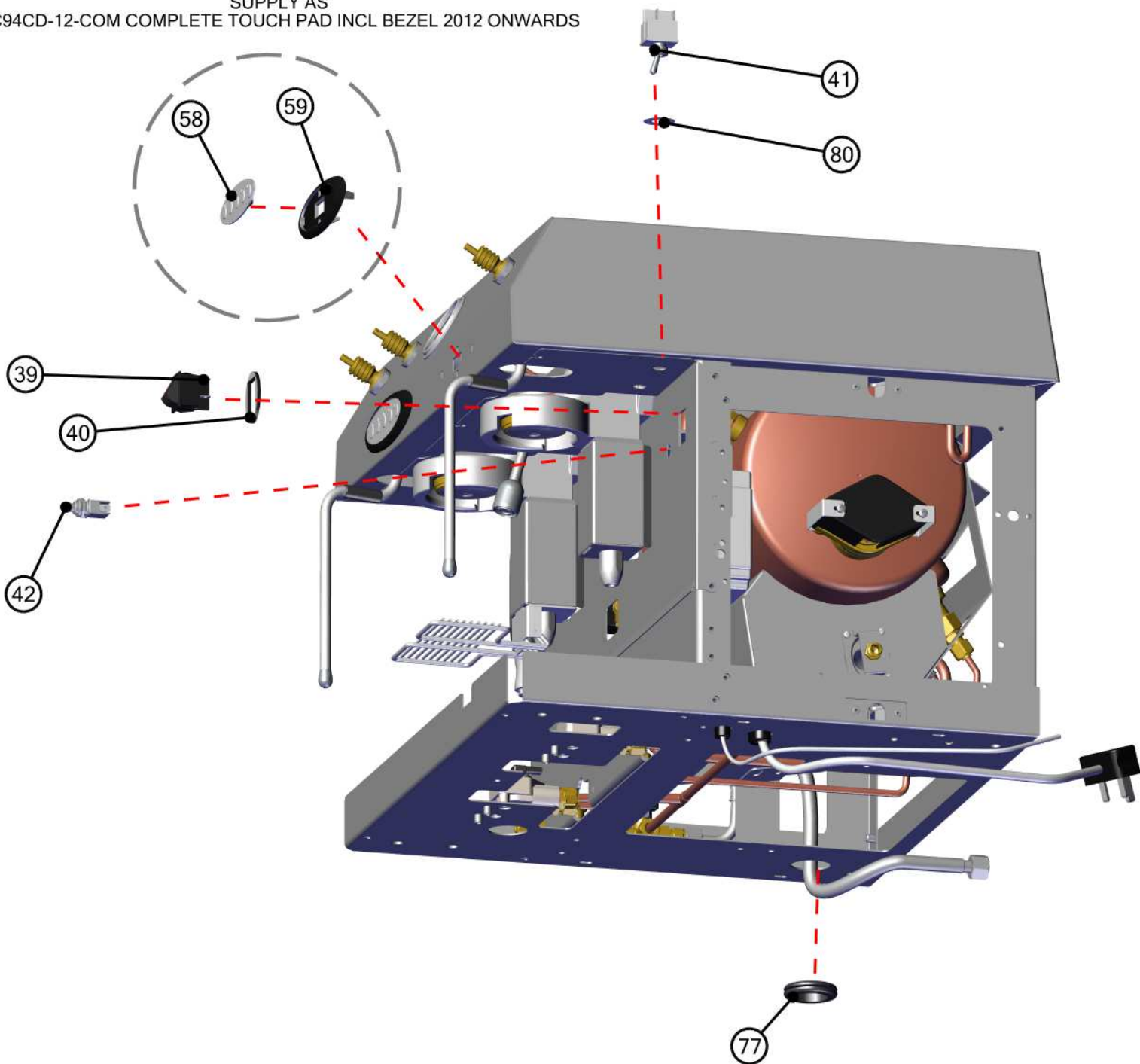


BOM ID	PartNo	Description	Qty
64	FCL151-2	GAS CONTROL VALVE TO BOILER STEAM	1
65	FCL169-T	GAS TEST POINT FITTING - UNIVERSAL	1
66	FCL169COM-14	COMPLETE GAS CTRL AND PRESS REG. WITHOUT THERMOCOUPLE, PIEZ	1
67	FCL300	BRAIDED LPG GAS INLET HOSE 36" LONG 1/4" SWIVEL NUT EACH END	1
68	FCL301-TESTNIPPLE	1/8" BSP TAPERED THREAD TEST NIPPLE	1
69	FCL306-13	MAIN GAS ISOLATION VALVE	1
73	FCL310	GAS INLET VALVE TO MAIN CONTROL VALVE PIPE	1
74	FCL311	GAS CONTROL VALVE TO BURNER FEED PIPE	1
77	HEA082C	DIA 30MM RUBBER GROMMET	3

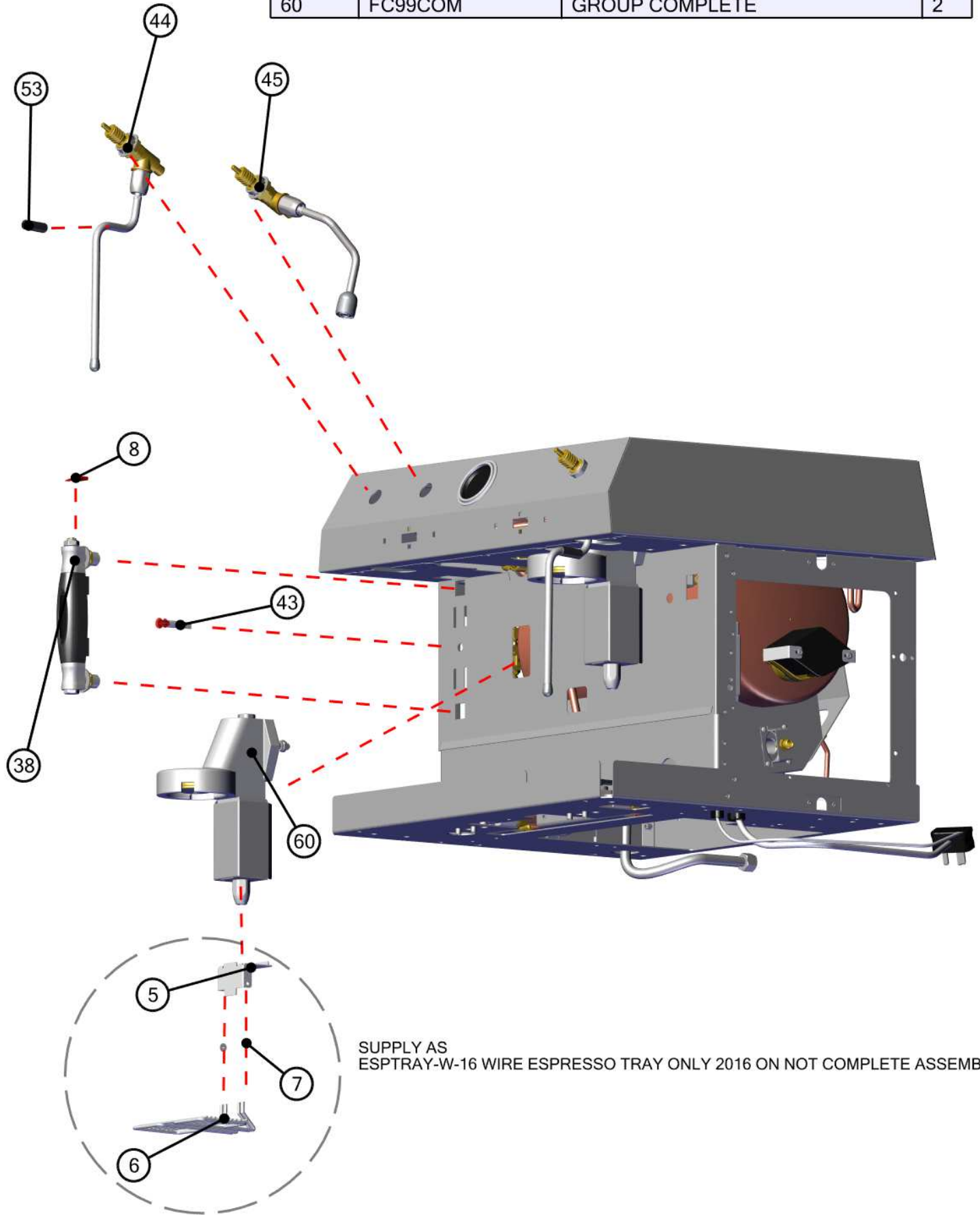


BOM ID	PartNo	Description	Qty
39	FC189	MAINS SWITCH	1
40	FC189S-P	SWITCH SURROUND	1
41	FC189T	16 AMP GAS/ELECTRIC SELECTOR TOGGLE SWITCH	1
42	FC189WS	IGNITION SWITCH	1
58	FC94CD-12	OVAL PCB TOUCHPAD RED LED FOR PLASTIC BEZEL	2
59	FC94DE	SNAP IN PLASTIC KEYPAD BEZEL	2
77	HEA082C	DIA 30MM RUBBER GROMMET	2
80	LABEL-GASVALVEFCL306-13	GAS VALVE LABEL 2-WAY ONLY - AUG 2013 ONWARDS	1

SUPPLY AS  
FC94CD-12-COM COMPLETE TOUCH PAD INCL BEZEL 2012 ONWARDS



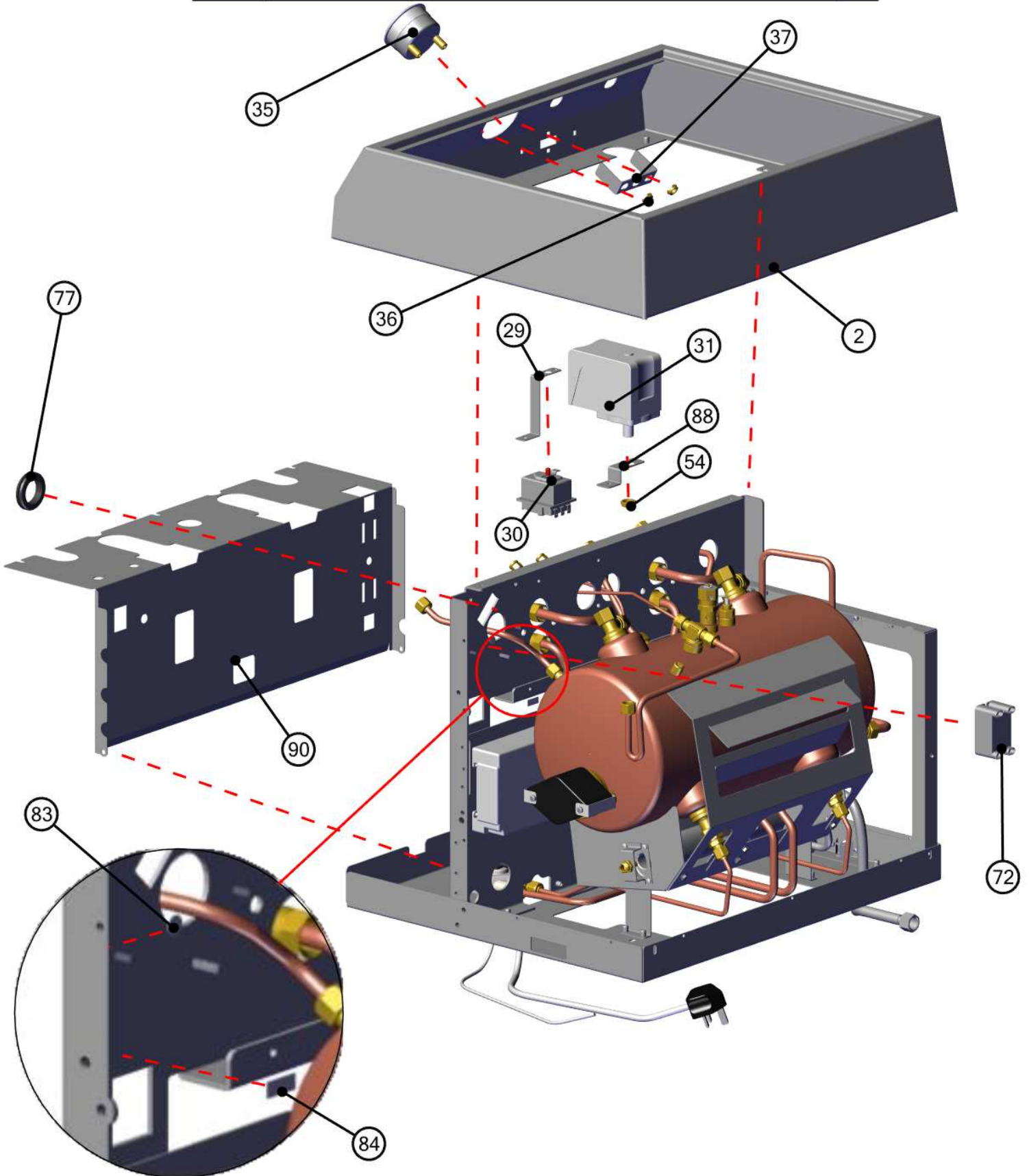
BOM ID	PartNo	Description	Qty
5	ESPBRKT-16	ESPRESSO TRAY BRKT 2016	1
6	ESPTRAY-W-16	WIRE ESPRESSO TRAY	1
7	ESPTRAY-WASHER	WIRE ESPRESSO TRAY WASHER	2
8	FC135W	AIR RELEASE VALVE LOCK WEDGE	1
38	FC181A	SIGHT GLASS	1
43	FC190-R-NEW	RED LED INDICATOR LIGHT	1
44	FC222AA-04	STEAM VALVE	2
45	FC222AB-CON-04	COMPLETE HOT WATER VALVE	1
53	FC56R	ANTI BURN STEAM TUBE SLEEVE	2
60	FC99COM	GROUP COMPLETE	2



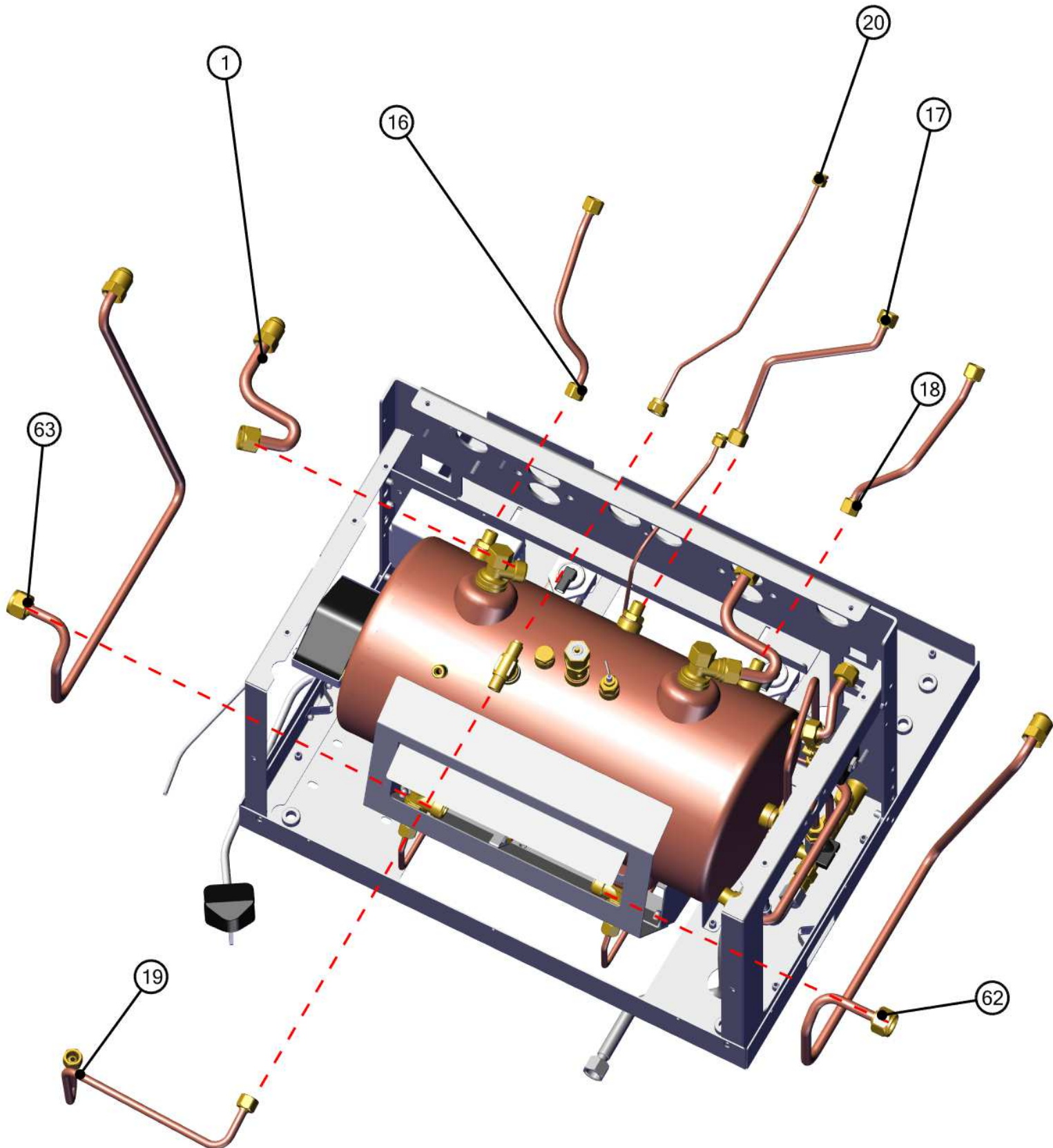
SUPPLY AS  
ESPTRAY-W-16 WIRE ESPRESSO TRAY ONLY 2016 ON NOT COMPLETE ASSEMBLY



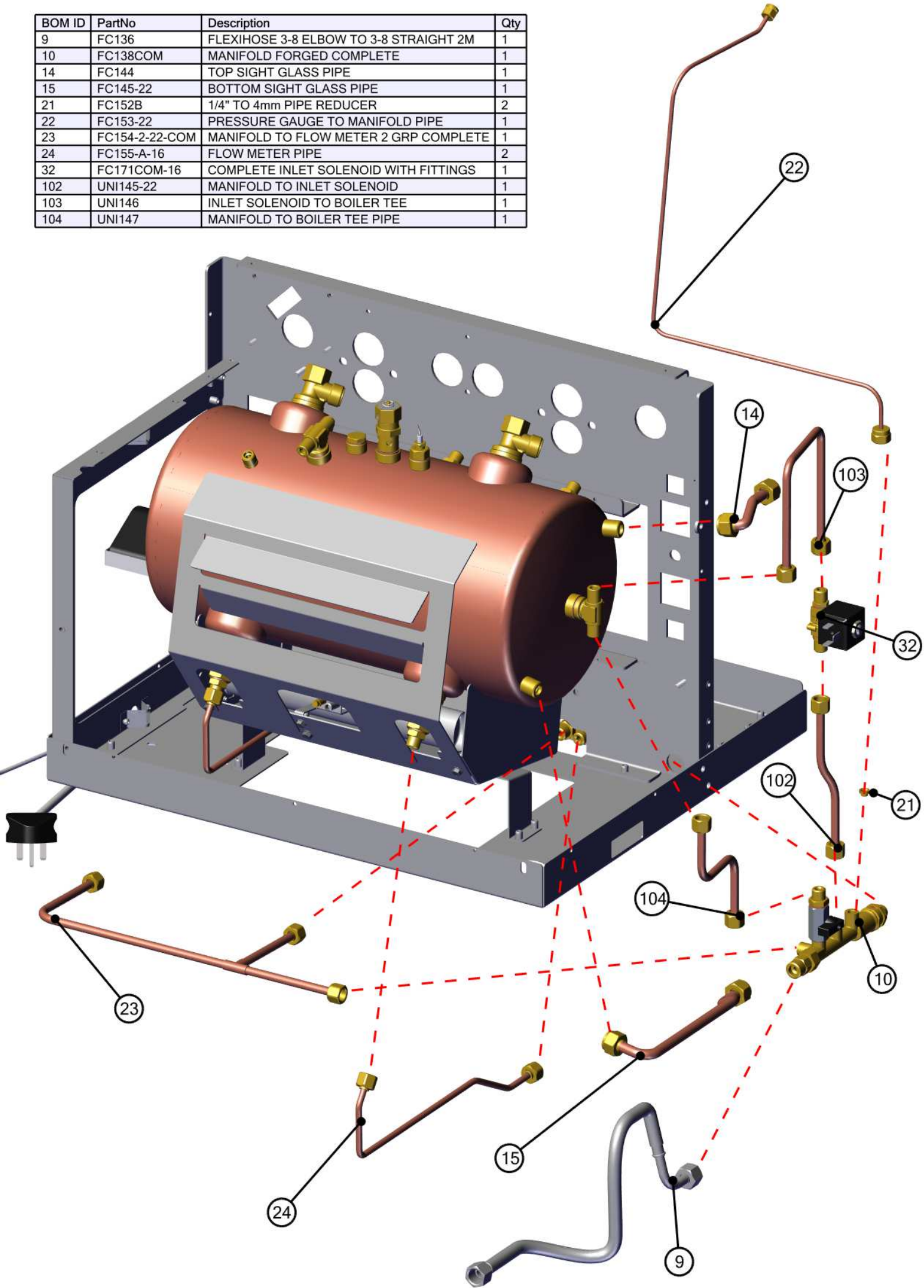
BOM ID	PartNo	Description	Qty
2	CON-2-002-A	CONTEMPO TOP ASSEMBLY 2 GRP AUTO	1
29	FC166-HLSB	HIGH LIMIT THERMOSTAT BRACKET	1
30	FC166HLS	HIGH LIMIT THERMOSTAT	1
31	FC169	PRESSURE SWITCH 3 POLE 30 AMP	1
35	FC179-12B	BLACK DUAL PRESSURE GAUGE 60mm METAL CASE	1
36	FC179A	1/8" BSP LOCK NUT	2
37	FC179AU	DUAL GAUGE BRACKET	1
54	FC75D	1/4" BSP LOCK NUT	1
72	FCL308	ELECTRONIC SPARK GENERATOR	1
77	HEA082C	DIA 30MM RUBBER GROMMET	1
83	LABELS-EARTH	SELF ADHESIVE EARTH LABEL	1
84	LABELS-L-N	SELF ADHESIVE LABEL LIVE-NEUTRAL	1
88	UNI-005-PS	PRESSURE SWITCH BRACKET	1
90	UNI-2-001-S-GAS	FRONT PANEL - GAS	1



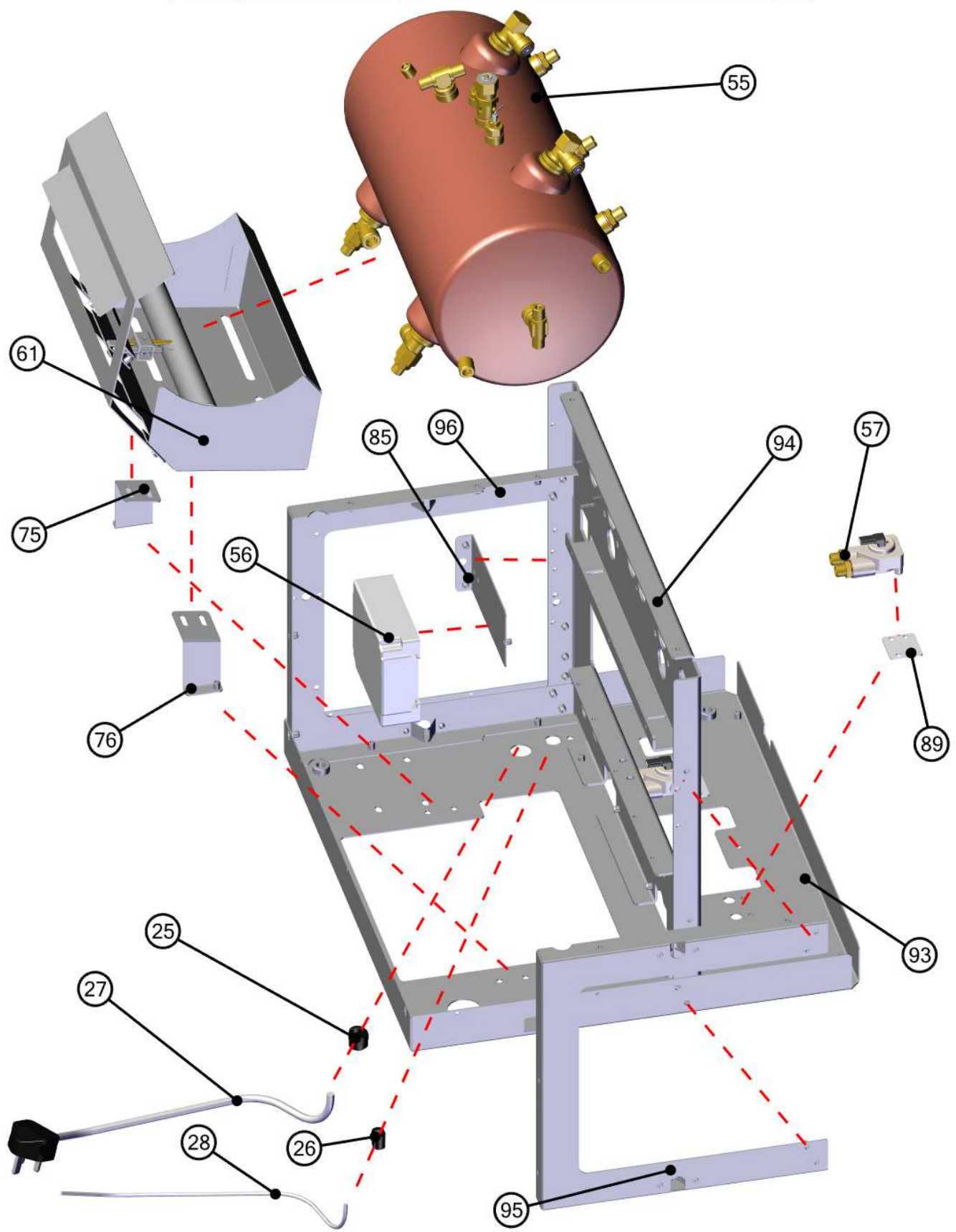
BOM ID	PartNo	Description	Qty
1	BAM147	TOP HEAT EXCHANGER TO BOILER PIPE	2
16	FC149-B-14	BOILER TO STEAM VALVE (14 ONWARDS)	1
17	FC150-3B	HOT WATER VALVE PIPE CONTEMPO	1
18	FC150-B	STEAM-HOT WATER PIPE	1
19	FC151-2	2 GROUP PRESSURE SWITCH PIPE	1
20	FC152	BOILER TO PRESSURE GAUGE PIPE	1
62	FCL148L	BOTTOM HEAT EXCHANGER PIPE GAS M-C LEFT HAND	1
63	FCL148-R	BOTTOM HEAT EXCHANGER PIPE GAS M-C RIGHT HAND	1



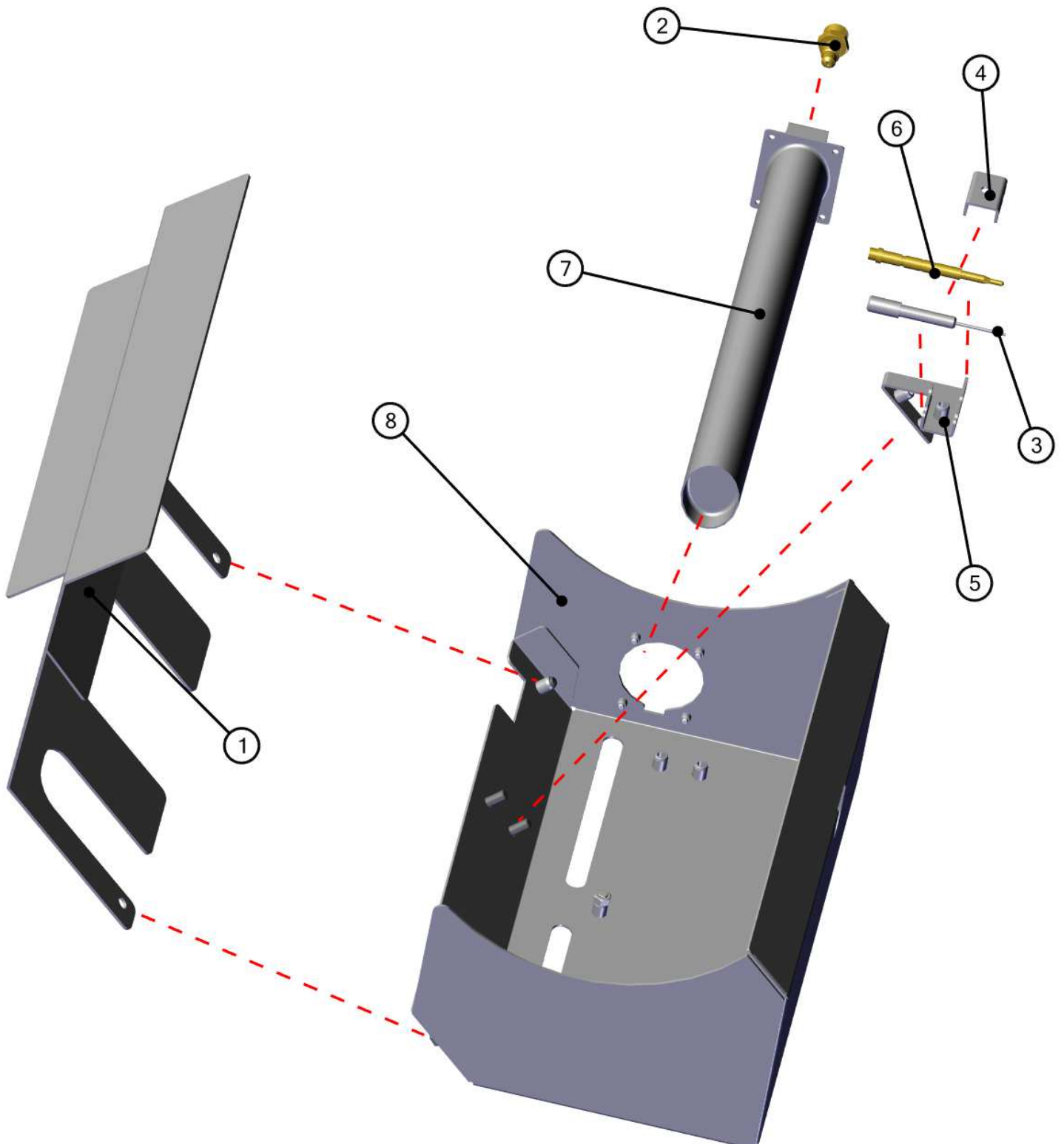
BOM ID	PartNo	Description	Qty
9	FC136	FLEXIHOSE 3-8 ELBOW TO 3-8 STRAIGHT 2M	1
10	FC138COM	MANIFOLD FORGED COMPLETE	1
14	FC144	TOP SIGHT GLASS PIPE	1
15	FC145-22	BOTTOM SIGHT GLASS PIPE	1
21	FC152B	1/4" TO 4mm PIPE REDUCER	2
22	FC153-22	PRESSURE GAUGE TO MANIFOLD PIPE	1
23	FC154-2-22-COM	MANIFOLD TO FLOW METER 2 GRP COMPLETE	1
24	FC155-A-16	FLOW METER PIPE	2
32	FC171COM-16	COMPLETE INLET SOLENOID WITH FITTINGS	1
102	UNI145-22	MANIFOLD TO INLET SOLENOID	1
103	UNI146	INLET SOLENOID TO BOILER TEE	1
104	UNI147	MANIFOLD TO BOILER TEE PIPE	1

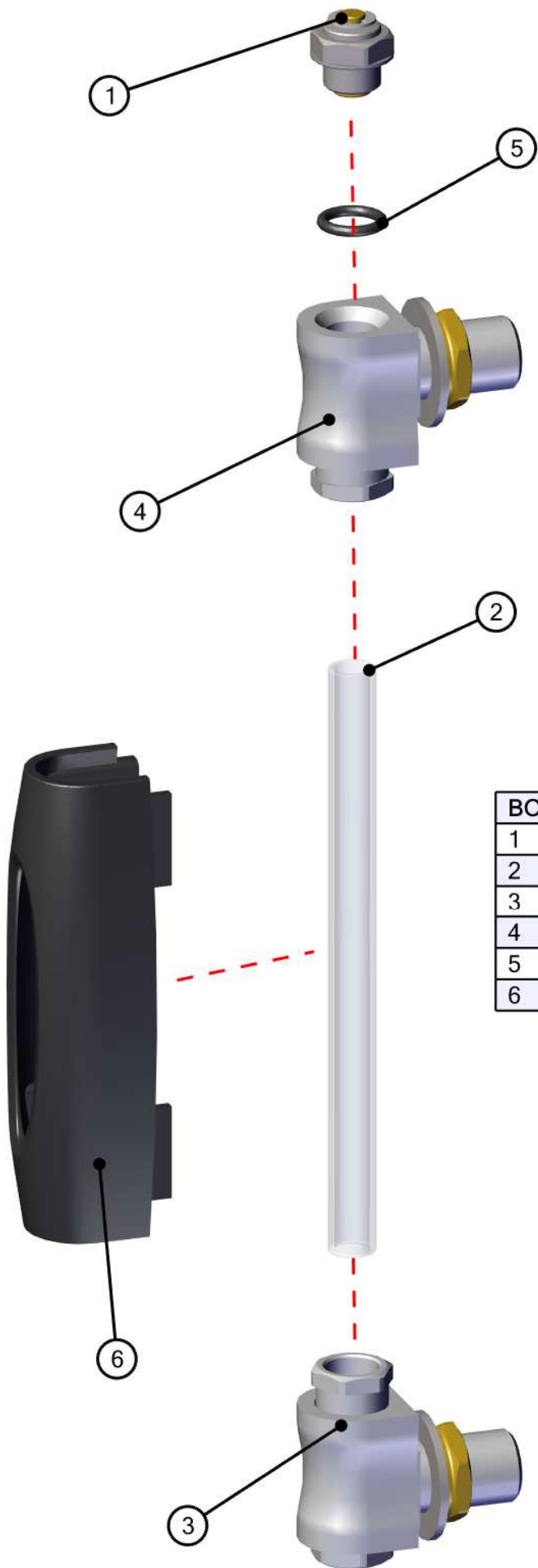


BOM ID	PartNo	Description	Qty
25	FC157-6	LARGE CABLE GLAND (3001497 Heyco)	1
26	FC157D	SMALL CABLE GLAND	1
27	FC158-A	POWER CABLE 2.5MM 3 CORE YY COL. H07RN-F3	1
28	FC158-B	POWER CABLE 0.75 MM2 3-C. COL. CODE	1
55	FC84-CON2LPG	CLASSIC CONTEMPO - 2 GROUP BOILER - GAS	1
56	FC91-3D5XLC	AUTO CONTROL BOX	1
57	FC92COM-17	FLOW METER	2
61	FCL-400-3-COM	2 GROUP BURNER BOX SUB-ASSEMBLY	1
75	FCL325LH	Burner Box Braket - LH	1
76	FCL325RH	Burner Box Braket - RH	1
85	ROM91	CONTROL BOX BRACKET	1
89	UNI-006-16	FLOW METER BRACKET	2
93	UNI-2-005-BASE-16	CHASSIS BASE 16 ONWARDS	1
94	UNI-2-005-FRONT-16	CHASSIS FRONT 16 ONWARDS	1
95	UNI-2-005-LH	CHASSIS SIDE - LH	1
96	UNI-2-005-RH	CHASSIS SIDE - RH	1



BOM ID	PartNo	Description	Qty
1	FCL-401-2-17	2 GROUP UNIVERSAL BAFFLE PLATE	1
2	FCL301-2	LPG GAS JET 0.85MM - FOR 2 GRP BURNNER	1
3	FCL302	HT ELECTRODE	1
4	FCL302H-17	HT AND THERMOCOUPLE BRACKET TOP	1
5	FCL302H-17	HT AND THERMOCOUPLE BRACKET BOTTOM	1
6	FCL304	900MM THERMOCOUPLE	1
7	FCL305	GAS BURNER	1
8	FCL400-2	BURNER BOX - 2 GRP	1





BOM ID	PartNo	Description	Qty
1	FC135	AIR RELEASE VALVE	1
2	FC181	SIGHT GLASS	1
3	FC181-BOTTOM	BOTTOM SIGHT GLASS	1
4	FC181-TOP	SIGHT GLASS TOP	1
5	FC182-70	SIGHT GLASS O-RING	1
6	FC187N	SIGHT GLASS COVER	1